



48V6A EV CHARGER

60V6A EV CHARGER

48V10A EV CHARGER

60V10A EV CHARGER



Salient Features

- Designed to meet adverse Indian power condition.
- Two stage (CC-CV Mode) charging profile suitable for Li-ion & LFP batteries
- Zero voltage start up facility
- Compact design easy to carry
- Wide Input Operating Range 170V-300V
- High efficiency – consumes less power
- Accurate Battery Charging Voltage & Current Limit.
- Battery reverse polarity protection.
- Overload protection.
- Over Temperature shutdown with auto recovery.

SPECIFICATIONS

AC Input

| | |
|-----------------------------------|-----------------|
| AC Input AC Input Voltage - range | : 170 - 300 VAC |
| AC Input Voltage - nominal | : 230 VAC rms |
| AC Input Frequency | : 47 - 53 Hz AC |
| Input Current - maximum | : 6A rms |
| Inrush current | : <40A |

DC Output

| | 48V6AEV Charger | 60V6A EV Charger | 48V10A EV Charger | 60V10A EV Charger |
|--|---------------------------|------------------|-------------------|-------------------|
| Maximum DC Output Voltage (Voltage Can be settable as per customer requirement) | 54.6V ± 0.2V DC | 67.2V ± 0.2V DC | 54.6V ± 0.2V DC | 67.2V ± 0.2V DC |
| Output Current | 6A | 6A | 10A | 10A |
| Efficiency | >85% | >85% | >85% | >85% |
| Output Line & Load Regulation | Tolerance 2% at cable end | | | |
| DC Ripple / Noise | <600mV / <1200mV Pk-Pk | | | |

Protections

| | |
|--|-------------|
| Output over load | : Available |
| Output short circuit | : Available |
| Output over voltage | : Available |
| Output under voltage | : Available |
| Over temperature with auto recovery | : Available |
| Battery reverse | : Available |
| Safety timer | : Available |
| Zero start-up (Battery wake-up) or Deep discharge battery wake-up | : Available |

Environmental

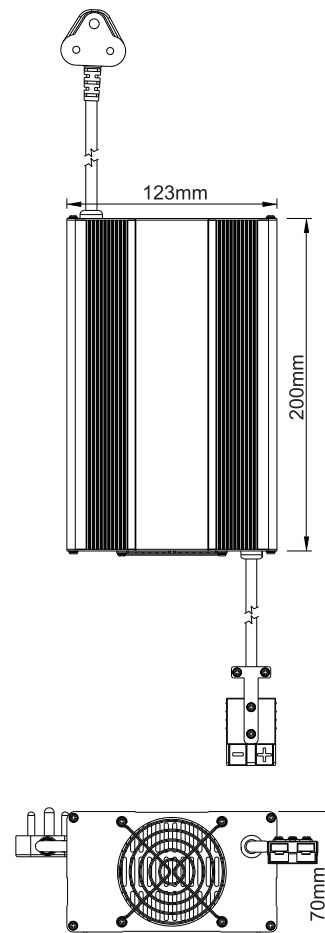
| | |
|-----------------------|----------------|
| Operating Temperature | : 0°C to +50°C |
| Humidity | : 95RH ± 5 % |

Mechanical

| | |
|---------------------|--|
| Enclosure | : Aluminium |
| Dimensions | : W=123mm, H=68mm, D=200mm |
| Weight | : 2 Kg |
| AC input connector | : 1.5 meter length with 3core, 3pin AC plug |
| DC output connector | : 1.0 meter EMO-40 connector with 2 Core cable |

Operation

| | |
|-----------------|---------------------------------------|
| Mains ON LED | : Red LED |
| Output ON LED | : Red LED |
| Charging | : Battery charging status LED's blink |
| Charge Complete | : Output OFF, all Green LEDs Constant |



SENATLA EV PRODUCTS PVT LTD

Regd. Off: Plot No.120/4, Survey No.266, Floor 1&2, Phase II, IDA Cherlapally, Hyderabad, Telangana, India-500051

www.senatlaevproducts.com